

PARTS CATALOG

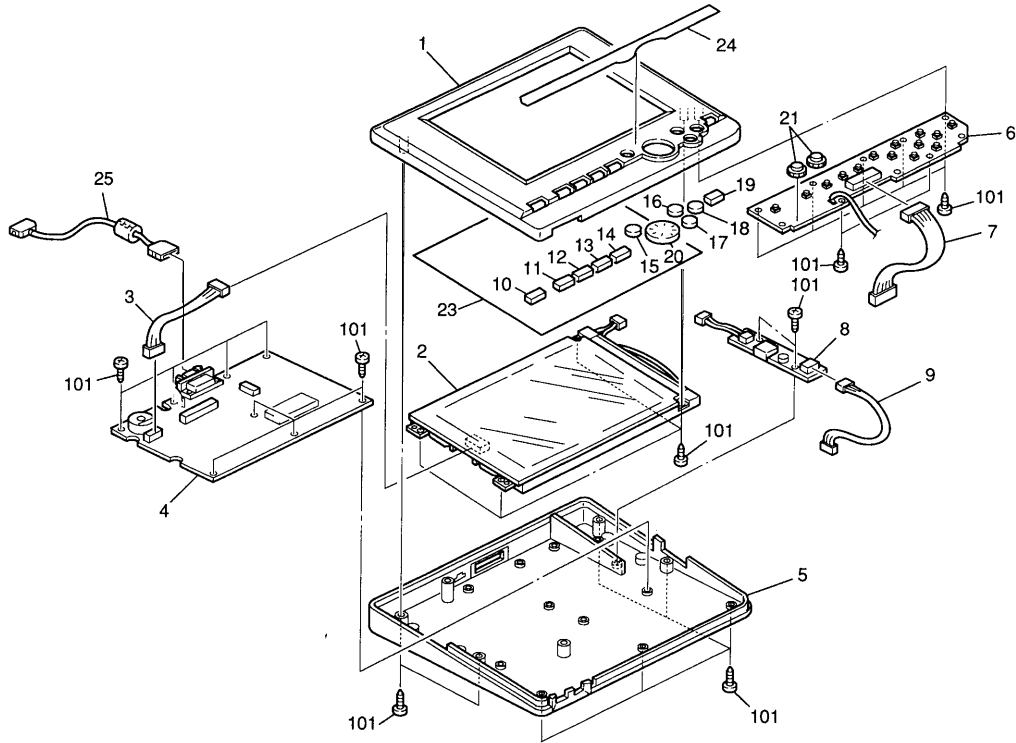
INTRODUCTION

This chapter instructs you the numbers and names of this parts on this machine.

INDEX to PARTS CATALOG

1. Editor (A997)	2
Parts Index	5

1. EDITOR (A997)



1. EDITOR (A997)

Index No.	Part No.	Description	Q'ty Per Assembly
1	A997 1200	Upper Cover	1
2	A997 1217	LCD Display	1
3	A997 1218	LCD Harness	1
4	A997 1214	Main Control Board	1
5	A997 1201	Lower Cover	1
6	A997 1216	Operation Panel Board	1
7	A997 1219	Key Switch Harness	1
8	A997 1215	Inverter Board	1
9	A997 1220	Inverter Relay Harness	1
10	A997 1202	Keytop - Scan	1
11	A997 1203	Keytop - Full Image	1
12	A997 1204	Keytop - Zoom 1	1
13	A997 1205	Keytop - Zoom 2	1
14	A997 1206	Keytop - Zoom 3	1
15	A997 1207	Keytop - Image Shift	1
16	A997 1208	Keytop - Clear	1
17	A997 1209	Keytop - Point	1
19	A997 1210	Keytop - Close	1
20	A997 1211	Keytop - All Clear	1
21	A997 1213	Dial	2
23	A997 1222	LCD Filter	1
24	A997 1229	Decal - keytop	1

Index No.	Part No.	Description	Q'ty Per Assembly
101	0344 0080F	Philips Truss Head Screw - M4x8	